



Друштво са ограниченом одговорношћу за производњу и дистрибуцију
енергије и флуида и пружање услуга

ЕНЕРГЕТИКА КРАГУЈЕВАЦ

34000 Крагујевац, Првослава Раковића 4А

Телефон: 034/304-783; Факс: 034/304-783; e-mail: jnabavka@energetika-kragujevac.com

PIB: 101576503; MB: 17006100; Број жиро-рачуна: 205-211835-30 Комерцијална банка

Датум: 27.03.2020..године

ПОТЕНЦИЈАЛНИМ ПОНУЂАЧИМА

Предмет: Одговор на захтев за додатним информацијама или појашњењима у вези са припремањем понуде

По захтеву заинтересованог лица за додатним информацијама или појашњењима у вези са припремањем понуда у поступку јавне набавке мале вредности „КОТРЉАЈНИ ЛЕЖАЈЕВИ И СЕМЕРИНЗИ “ 1.1.6/2020, Наручилац у складу са чланом 63. Закона о јавним набавкама, објављује одговор.

Питање:

Poštovani,

U pojašnjenju za poziciju 199 naručilac tvrdi „naziv je dovoljan tehnički opis" što je zaključio na osnovu toga što je proizvod ranije nabavio na osnovu naziva. Naručilac zahteva od ponuđača da dostave izvod iz kataloga za konkretan proizvod pa nije jasno na osnovu čega će u fazi stručne ocene upoređivati ponude sa tehničkom specifikacijom ako nema podatke o proizvodu koji nabavlja.

ZJN u Članu 61. Stav 1 propisuje: "Naručilac je dužan da pripremi konkursnu dokumentaciju tako da ponuđači na osnovu nje mogu da pripreme prihvatljivu ponudu." U stavu 4 tačka 5) istog člana ZJN propisuje da konkursna dokumentacija između ostalog mora da sadrži: "5) vrstu, **tehničke karakteristike** (specifikacije), kvalitet, količinu i **opis dobara**".

U k.d. za poziciju 199 nema ni opisa ni tehničkih karakteristika. Iz naziva SEMERING W BASF 85X140X12/10 NBR možemo da utvrdimo samo vrstu materijala. U okviru standarda DIN 3760 semering može biti tip A, B, C, AUP, BUP, CUP, kasetni, rasečeni... Iz samog naziva se ne može nesumnjivo utvrditi da li je kućište prekriveno gumom i u kojoj meri, koliko ima zaptivnih usana, da li ima dodatni zaštitnik od prašine, da li ima dodatna ojačanja ili bilo koju posebnost u odnosu na standardne semeringe a koja bi mogla biti posledica zahteva na konkretnom mestu ugradnje. To je posebno važno jer naručilac uz nabavku standardizovanih dobara na 198 pozicija na jednoj poziciji nabavlja specifičan rezervni deo koji je nazvao semering. Da taj semering spada u grupu standardizovanih proizvoda naručilac ne bi imao potrebu da naglašava da je u pitanju rezervni deo konkretne sprave.

Upozoravamo naručioca da je dužan da postupi u skladu sa odredbama člana 61 ZJN i da objavi sve bitne tehničke karakteristike proizvoda na poziciji 199, na osnovu kojih je moguće pripremiti odgovarajuću i

prihvatljivu ponudu. Ukoliko to iz nekog razloga nije u mogućnosti naručilac nabavku dobra na poziciji 199 može sprovestu u nekoj drugoj vrsti postupka ili direktno od proizvođača opreme.

Одговор:

Katalog iz koga smo izvadili podatke o semeringu

Parts List

42 271 13 95

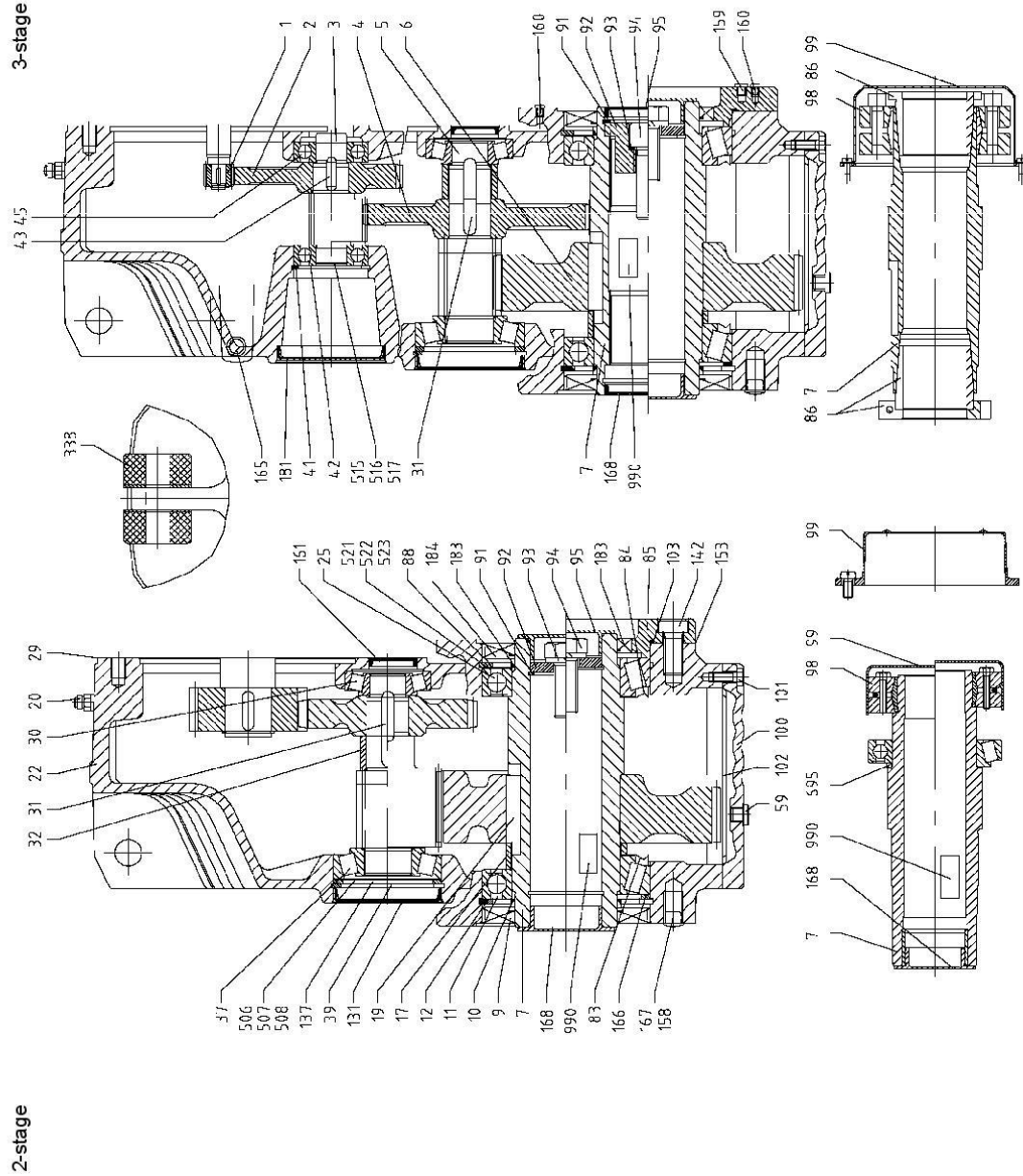


Parallel shaft helical gear unit

FA87, FH87, FV87, FT87, FA87B, FH87B, FV87B, FT87B

EN Page 1 / 4

EG 19.09.2012



Mount-on gear units have motors, variable speed gear units or special input shaft assemblies mounted on the drive end. For parts see appropriate parts list.
When ordering spare parts always quote nameplate data with serial number and designation with part number!

Copyright reserved! All rights reserved according to DIN ISO 16016.

SEW-EURODRIVE GmbH & Co KG Postfach 3023, D-76642 Bruchsal Tel. (07251) 75-0, Fax (07251) 75-1970, <http://www.sew.de>

Parts List

42 271 13 95



Parallel shaft helical gear unit

FA87, FH87, FV87, FT87, FA87B, FH87B, FV87B, FT87B

EN Page 2 / 4

EG 19.09.2012

No.	Description	Additional specifications	SEW standard label	Part No.	Qty.
1	Pinion			*	1
2	Gear			*	1
3	Pinion shaft			*	1
4	Gear			*	1
5	Pinion shaft			*	1
6	Gear			*	1
7	Hollow Shaft	FA87; FA87B	Ø 60 mm	06432611	1
7	Hollow Shaft	FA87; FA87B; stainless; ASEPTICplus	Ø 60 mm	00453196	1
7	Hollow Shaft	FA87; FA87B; Reinforced bearings	Ø 60 mm	00462659	1
7	Hollow Shaft (inch)	FA87; FA87B	Ø 2,375 in.	06432824	1
7	Hollow shaft complete	FH87; FH87B	Ø 65 mm	06431771	1
7	Hollow shaft complete	FH87; FH87B; stainless	Ø 65 mm	00459224	1
7	Hollow shaft complete	FH87; FH87B; Reinforced bearings; reduced backlash version	Ø 65 mm	00453897	1
7	Hollow shaft complete	FH87; FH87B; Reinforced bearings; reduced backlash version; stainless	Ø 65 mm	00468878	1
7	Hollow shaft complete	FH87; FH87B	Ø 65/66 mm	00424528	1
7	Splined hollow shaft	FV87; FV87B	65x2x30x31	06434002	1
7	Hollow shaft for shrink disc	FT87; FT87B	NG65	06437222	1
7	Hollow shaft for shrink disc	FT87B; TorqLoc-Plus	NG65 AB	06438423	1
7	Hollow shaft for shrink disc	FT87; FT87B; stainless; ASEPTICplus	NG65	06438547	1
7	Hollow shaft for shrink disc	FT87B; stainless; ASEPTICplus; TorqLoc-Plus	NG65 AB	06438660	1
9	Oil seal		W BASF85x140x12/10-NBR	00177695	1
9	Oil seal	optional oil seal in FKM; ATEX model according to category II2G, II2D, II3G, II3D; ASEPTICplus	W BASF85x140x12/10-FKM	00178098	1
10	Oil seal	Double sealing as an option; ATEX model according to category II2G, II2D, II3G, II3D; ASEPTICplus	W B1SF85x134x10/16,5-FKM	0017369X	1
11	Deep groove ball bearing		6018-Z	00117307	1
11	Tapered roller bearing	Reinforced bearings; FH87, FH87B in reduced backlash design	32018X	00139300	1
12	Circlip		DIN472 140x4-FS	00103314	1
17	Spacer tube		Ø91xØ100x22 mm	06430120	1
17	Spacer tube	Reinforced bearings; FH87, FH87B in reduced backlash design	Ø91xØ100x10 mm	00428086	1
19	Key		DIN6885-1 B20x12x56 55HRC	00134929	1
20	Breather valve		W4087 M12x1,5-CuZn-HEI	00130311	1
20	Breather valve	FA87; FA87B; stainless; ASEPTICplus	W4087 M12x1,5-Niro-HEI	00136247	1
22	Gear Housing	FA87; FH87; FV87; FT87		06421512	1
22	Gear Housing	FA87B; FH87B; FV87B; FT87B; TorqLoc-Plus		06420168	1
22	Gear Housing	Reinforced bearings; FH87, FH87B in reduced backlash design		00428051	1
25	Deep groove ball bearing		6018-Z	00117307	1
25	Tapered roller bearing	Reinforced bearings; FH87, FH87B in reduced backlash design	32018X	00139300	1
29	Sealing compound			09102558	X)
30	Tapered roller bearing		30306	0012477X	1
31	Key	2-stage	DIN6885-1 B10x8x32 55HRC	00100579	1
31	Key	3-stage	W4190 AB10x8x30 55HRC	00135453	1
32	Spacer tube	For I 9,58 to 270,68	Ø36xØ45x29 mm	06420648	1
37	Tapered roller bearing		30308	00106046	1

* Gearing parts have embossed part numbers. These must always be quoted!

X) if required

Mount-on gear units have motors, variable speed gear units or special input shaft assemblies mounted on the drive end. For parts see appropriate parts list.

When ordering spare parts always quote nameplate data with serial number and designation with part number!

Copyright reserved! All rights reserved according to DIN ISO 16016.

SEW-EURODRIVE GmbH & Co KG Postfach 3023, D-76642 Bruchsal Tel. (07251) 75-0. Fax (07251) 75-1970. <http://www.sew.de>

Parts List

42 271 13 95



Parallel shaft helical gear unit

FA87, FH87, FV87, FT87, FA87B, FH87B, FV87B, FT87B

EN Page 3 / 4

EG 19.09.2012

No.	Description	Additional specifications	SEW standard label	Part No.	Qty.
39	Circlip		DIN472 90x3-FS	00103268	1
41	Circlip		DIN472 62x2-FS	00103217	1
42	Deep groove ball bearing		6305	00105090	1
43	Key		DIN6885-1 B8x7x20 55HRC	00115991	1
45	Deep groove ball bearing		6305	00105090	1
59	Screw plug		W4085 M12x1,5-St-ADC3K	00114308	5
83	Sealing Washer	Reinforced bearings; FH87, FH87B in reduced backlash design	W4587 32018X-AV	00136840	1
84	Sealing Washer	Reinforced bearings; FH87, FH87B in reduced backlash design	W4587 32018X-AV	00136840	1
85	Oil Seal Flange	Reinforced bearings; FH87, FH87B in reduced backlash design		0042806X	1
86	Clamp set complete	FT87; FT87B	Ø 65 mm	10678050	1
86	Clamp set complete	FT87; FT87B; stainless; ASEPTICplus	Ø 65 mm	10678123	1
86	Clamp set complete	FT87; FT87B	Ø 1,9375 in.	10678360	1
86	Clamp set complete	FT87; FT87B	Ø 2,000 in.	10678379	1
86	Clamp set complete	FT87; FT87B	Ø 2,375 in.	10678387	1
86	Clamp set complete	FT87; FT87B	Ø 2,4375 in.	10678395	1
86	Clamp set complete	FT87; FT87B; stainless; ASEPTICplus	Ø 1,9375 in.	10678611	1
86	Clamp set complete	FT87; FT87B; stainless; ASEPTICplus	Ø 2,000 in.	10678638	1
86	Clamp set complete	FT87; FT87B; stainless; ASEPTICplus	Ø 2,375 in.	10678646	1
86	Clamp set complete	FT87; FT87B; stainless; ASEPTICplus	Ø 2,4375 in.	10678654	1
88	Circlip		DIN472 140x4-FS	00103314	1
91	Circlip	FA87; FA87B	DIN472 60x2-FS	00103365	1
91	Circlip	FA87; FA87B; stainless; ASEPTICplus	W4161 60x2-Niro	13228013	1
91	Circlip	FV87; FV87B	DIN472 72x2,5-FS	00103225	1
92	Disc	FA87; FA87B	W4126 22x59,5x8-St	01033913	1
92	Disc	FA87; FA87B; stainless; ASEPTICplus	W4126 22x59,5x8-A1	13228102	1
92	Disc	FV87; FV87B		01174061	1
93	Lock washer	FA87; FA87B	W4146 A20-FS-Q3F	00109967	1
93	Lock washer	FA87; FA87B; stainless; ASEPTICplus	W4146 A20-A2	00159980	1
93	Supporting disc	FV87; FV87B	DIN988 S22x32x2-FS	00103446	1
94	Hex head screw	FA87; FA87B	ISO4017 M20x50-8.8-A2F	00101281	1
94	Hex head screw	FA87; FA87B; stainless; ASEPTICplus	ISO4017 M20x50xA2-70	00159972	1
94	Hex head screw	FA87; FA87B	ASME-B18 3/4-10x2-A2F	08069581	1
94	Machine screw	FV87; FV87B	ISO4762 M20x60-8.8-A2F	00123315	1
95	Closing plug	FA87; FA87B	W4299 1-60 8-PE-LD-BK	01140973	1
95	Closing cap	FV87; FV87B	W4300 1-72x9	00106925	1
98	Shrink Disc	FH87; FH87B	W4941 DK-85x155	01226339	1
98	Shrink Disc	FT87; FT87B	W4941 DK-85x155-TL	06439624	1
98	Shrink Disc	FH87; FH87B; FT87; FT87B; stainless; ASEPTICplus	W4941 DK-85x155-Niro	19067682	1
99	Hood Cover	FH87; FH87B		01140981	1
99	Hood cover complete	FH87; FH87B		06435173	1
99	Hood cover complete	FH87; FH87B; FT87; FT87B; ATEX model according to category II2G, II2D, II3G, II3D; stainless; ASEPTICplus		06435882	1
100	Gearcase cover			06420052	1
101	Hex head screw		ISO4017 M8x20-8.8-A2F	00110256	10
102	Sealing compound			09102558	X)
103	O-ring	Reinforced bearings; FH87, FH87B in reduced backlash design	W4283 135x3-NBR70	00176613	1
131	Closing cap		W4300 1-90x12	00111627	1
137	Supporting disc		W4140 S75x90x3,5-FS	00120340	1
142	Machine screw	Reinforced bearings; FH87, FH87B in reduced backlash design	DIN6912 M16x35-8.8-A2F	00101672	4

X) if required

Mount-on gear units have motors, variable speed gear units or special input shaft assemblies mounted on the drive end. For parts see appropriate parts list.

When ordering spare parts always quote nameplate data with serial number and designation with part number!

Copyright reserved! All rights reserved according to DIN ISO 16016.

SEW-EURODRIVE GmbH & Co KG Postfach 3023, D-76642 Bruchsal Tel. (07251) 75-0. Fax (07251) 75-1970. <http://www.sew.de>

Parts List

42 271 13 95



Parallel shaft helical gear unit

FA87, FH87, FV87, FT87, FA87B, FH87B, FV87B, FT87B

EN Page 4 / 4

EG 19.09.2012

No.	Description	Additional specifications	SEW standard label	Part No.	Qty.
153	Sealing compound	Reinforced bearings; FH87, FH87B in reduced backlash design		09102558	X)
158	Closing plug		W4299 1-9,4-PE-LD	00113719	2
159	Closing plug	Reinforced bearings; FH87, FH87B in reduced backlash design	W4299 1-7,2-PE-LD-NA	00136042	2
160	Closing plug		W4299 4-5,4-PE-LD-NA	00113824	2
161	Closing cap		W4300 1-40x7	00111651	1
165	Closing plug		W4299 4-14,5-PE-LD-NA	00113743	8
166	Supporting disc	Reinforced bearings; FH87, FH87B in reduced backlash design	W4140 S125x140x3,5-FS	00179191	1
167	Closing plug		W4299 4-14,5-PE-LD-NA	00113743	6
168	Closing plug	FA87; FA87B	W4299 1-60,8-PE-LD-BK	01140973	1
168	Closing plug	FH87; FH87B	W4299 1-66-PE-LD-NA	00126683	1
168	Closing cap	FV87; FV87B	W4300 1-72x9	00106925	1
181	Closing cap		W4300 1-90x12	00111627	1
183	Oil seal		W BASF85x140x12/10-NBR	00177695	1
183	Oil seal	optional oil seal in FKM; ATEX model according to category II2G, II2D, II3G, II3D; ASEPTICplus	W BASF85x140x12/10-FKM	00178098	1
183	Oil seal	Reinforced bearings; FH87, FH87B in reduced backlash design	W BASF85x110x12/10-NBR	00177709	1
183	Oil seal	optional oil seal in FKM; Reinforced bearings or FH87, FH87B in reduced backlash design in conjunction with ATEX model according to category II2G, II2D, II3G, II3D or ASEPTICplus	W BASF85x110x12/10-FKM	00178101	1
184	Oil seal	Double sealing as an option; ATEX model according to category II2G, II2D, II3G, II3D; ASEPTICplus	W B1SF85x134x10/16,5-FKM	0017369X	1
338	Rubber Buffer		W4312 21x60x30	00133493	2
506	Shim		W4140 75x90x0,1-St	00120545	X)
507	Shim		W4140 75x90x0,3-St	00120553	X)
508	Shim		W4140 75x90x0,5-St	00120561	X)
515	Shim		DIN988 50x62x0,1-St	00103764	X)
516	Shim		DIN988 50x62x0,3-St	00104000	X)
517	Shim		DIN988 50x62x0,5-St	00104183	X)
521	Shim		DIN988 110x140x0,1-St	00113263	X)
521	Shim	Reinforced bearings; FH87, FH87B in reduced backlash design	W4140 125x140x0,1-St	00179132	X)
522	Shim		DIN988 110x140x0,3-St	00113409	X)
522	Shim	Reinforced bearings; FH87, FH87B in reduced backlash design	W4140 125x140x0,3-St	00179140	X)
523	Shim		DIN988 110x140x0,5-St	00113514	X)
523	Shim	Reinforced bearings; FH87, FH87B in reduced backlash design	W4140 125x140x0,5-St	00179159	X)
695	Spacer tube	FH87; FA87B; Only for rust-proof hollow shaft with standard bearing		00470422	1
990	Contact corrosion inhibitor			09107819	1

X) if required

Mount-on gear units have motors, variable speed gear units or special input shaft assemblies mounted on the drive end. For parts see appropriate parts list.

When ordering spare parts always quote nameplate data with serial number and designation with part number!

Copyright reserved! All rights reserved according to DIN ISO 16016.

SEW-EURODRIVE GmbH & Co KG Postfach 3023, D-76642 Bruchsal Tel. (07251) 75-0. Fax (07251) 75-1970. <http://www.sew.de>

Овај документ је саставни конкурсне документације.

Не врши се измена конкурсне документације ни продужење рока за подношење понуда.

Комисија за јавну набавку број 1.1.6/2020